

# Pin Grid Array Adapters .100/(2.54mm) Standard Grid

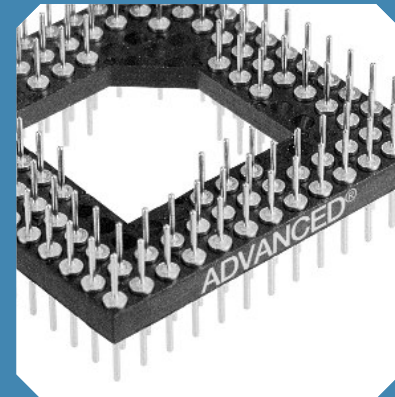


## Table of Models

	<p>Description: <b>Peel-A-Way® (KA)</b> Material: Polyimide Film Index: -269°C to 400°C (-452°F to 752°F)</p>	
	<p>Description: <b>Molded (RCA)</b> Mat'l: High Temp. Liquid Crystal Polymer (LCP) Index: -40°C to 260°C (-40°F to 500°F)</p>	

RCA replaces HCA.

# PGA Adapters

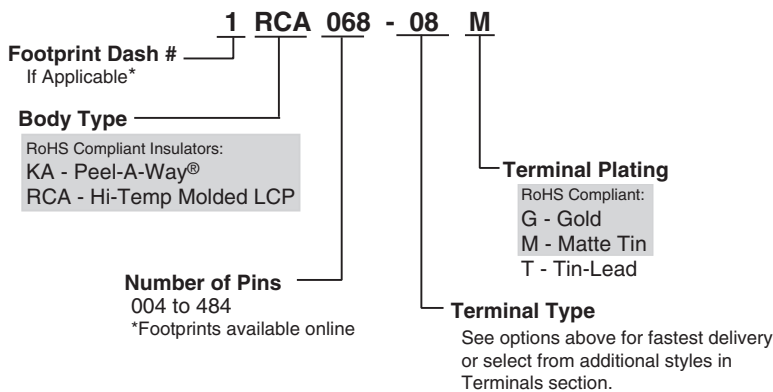


## Standard Quick-Turn Terminals

Additional standard and custom terminals available.  
See Terminals section or consult factory.

<p><b>Type -79</b> Peel-A-Way® only</p>	<p><b>Type -80</b> Peel-A-Way® only</p>	<p><b>Type -81</b> Peel-A-Way® only</p>	<p><b>Type -08</b> Molded only</p>
<p><b>Type -68</b> Molded only</p>	<p><b>Type -43</b> Molded only</p>	<p><b>Type -185</b> Molded only</p>	<p><b>Type -42</b> Molded only</p>

## How To Order



Note: Quick-Turn delivery is not available on products with Matte Tin plating.

### Features:

- Screw-machined terminals for long-term durability.
- Mating sockets available.
- Custom designs available.

### Specifications:

#### Terminals:

Brass - Copper Alloy  
(C36000) ASTM-B-16

#### Plating:

- G - Gold over Nickel
- M - Matte Tin over Nickel
- T - Tin/Lead over Nickel

Gold per ASTM-B-488  
Matte Tin per ASTM545-97  
Tin/Lead per MIL-P-81728  
Nickel per QQ-N-290

### Available Online:

- Hundreds of footprints
- Extraction Tools
- RoHS Qualification Test Report
- CAD Drawings

inch/(mm)

Products shown covered by patents issued and/or pending. Specifications subject to change without notice.



5 Energy Way, West Warwick, RI 02893 USA  
Tel: 800.424.9850 | 401.823.5200  
Fax: 401.823.8723  
info@advanced.com | www.advanced.com  
Catalog 16 rev. Sept. 07